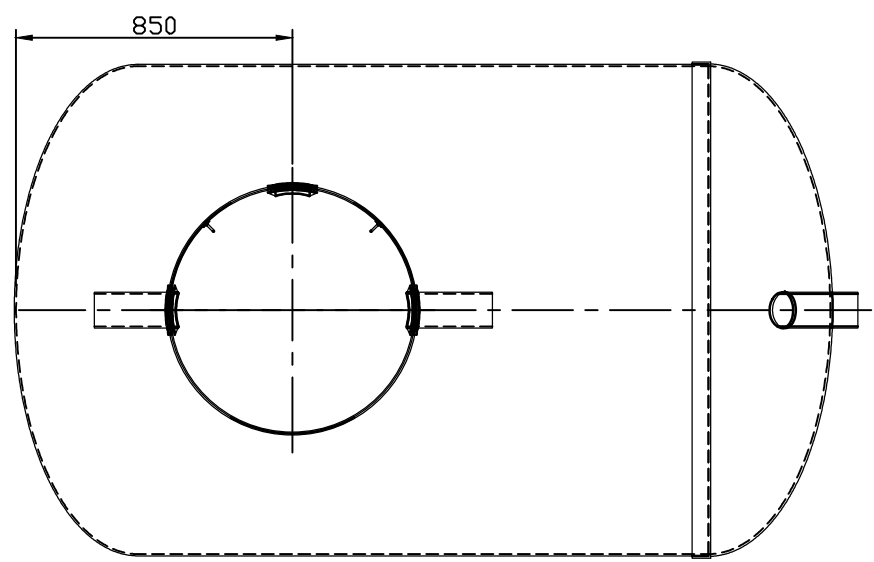
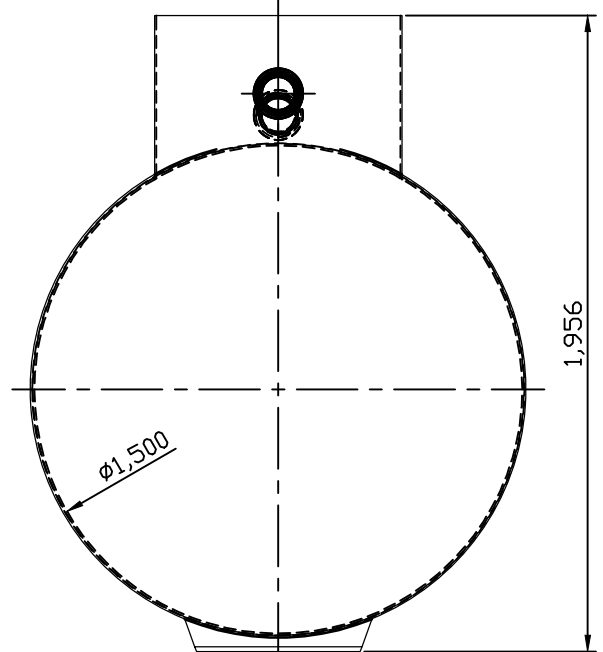
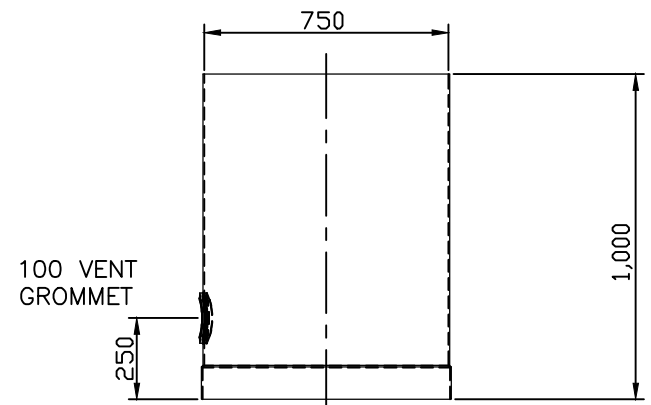
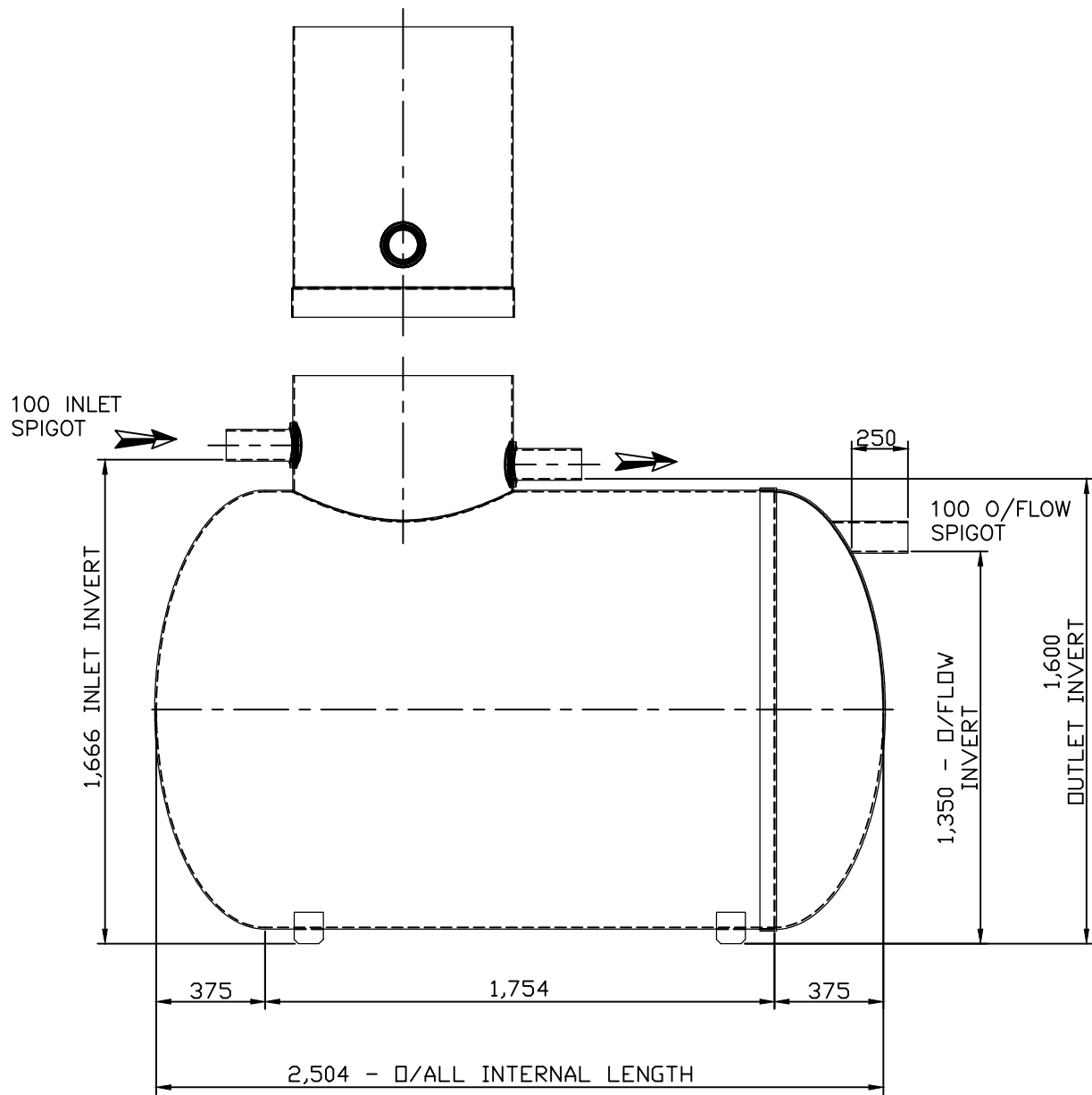


1 2 3 4 5 6

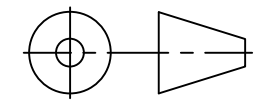
A
B
C
D
E
F



IMPORTANT INVERT LEVEL NOTE (RIBBED TANKS ONLY!):
 The inlet and outlet Invert Level(IL) shown on this drawing is to internals of the shell unless otherwise stated.
 For Invert level to the outside of the shell ribs, see the conversion below:
 Ø1.0m, 1.2m, 1.5m, 1.8m, 2.5m IL+50mm ('X')
 Ø3.0m, 4.0m IL+75mm ('X')



TANKS SUPPLIED WITH LOOSE SHAFTS DO NOT COME SUPPLIED WITH A FIXING KIT.
 THIS IS THE RESPONSIBILITY OF THE SITE CONTRACTOR.



1ST ANGLE PROJECTION

TITLE RW04-F200 FILTER RAINWATER TANK

1	31.01.12	RU	DG	RP	FOR INFORMATION		
REV.	DATE	BY	CHKD.	APPD.	DESCRIPTION		
A3	DO NOT SCALE IF IN DOUBT ASK ALL DIMENSIONS IN MM		GENERAL TOLERANCES (unless noted otherwise)		THIS DRAWING IS THE PROPERTY OF CONDER AQUA SOLUTIONS Ltd. AND IS NOT TO BE COPIED IN PART OR WHOLE WITHOUT WRITTEN PERMISSION		
			GRP FABRICATED MACHINED	LINEAR		± 5mm ± 2mm ± 0.5mm	ANGLE

DRAWN BY RU	CHKD. DG	APPD. RP	SCALE NTS	DRAWING No. RW04-F200 SALES	REVISION 1
DATE 31.01.12	DATE 31.01.12	DATE 31.01.12			