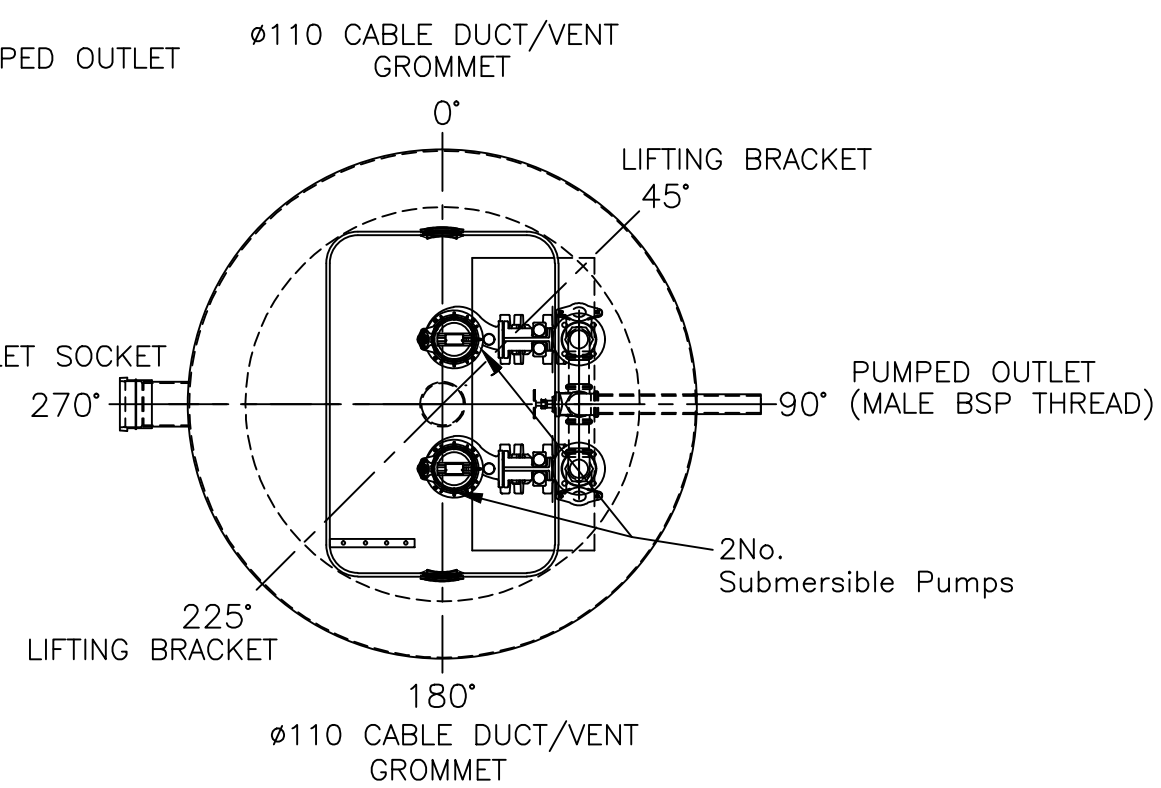


NOTES.

- ①. ALL UNITS TO BE SURROUNDED IN CONCRETE (SEE GUIDE UTG 9502)
- ②. 4 x FLOAT SWITCHES (TYPICAL SETTING SHOWN, TO BE SET DURING COMMISSIONING, SWITCHES TIED AT HIGH LEVEL FOR TRANSPORT)
- ③. VARIABLE INLET (EXTERNAL PIPEWORK AND VENT COVER BY OTHERS)
- ④. 2 x LIFTING CHAINS (HUNG FROM TOP GUIDE RAIL BRACKET)
- ⑤. TERMINATING IN MALE THREADED OUTLET ø1.8 TANK (2", 2.5" OR 3" DEPENDING ON PUMP SELECTION)

STANDARD LOOSE ITEMS (SUPPLIED WITH TANK)  
 2 x SUBMERSIBLE PUMPS  
 1 x CONTROL PANEL  
 1 x PEDESTRIAN MANHOLE COVER AND FRAME (D400 OPTION AVAILABLE)

OTHER OPTIONAL ITEMS ARE AVAILABLE



PLAN VIEW SHOWING TRUE PIPEWORK ORIENTATIONS  
 SITE SPECIFIC LAYOUTS/ORIENTATION AVAILABLE AT AN ADDITIONAL COST

-	-	-	-	-	-																						
A	04.03.14	LT	-	-	ISSUED FOR INFORMATION																						
REV.	DATE	BY	CHKD.	APPD.	DESCRIPTION																						
<table border="1"> <tr> <td colspan="2">GENERAL TOLERANCES (unless noted otherwise)</td> <td colspan="4"><b>IMPORTANT INVERT LEVEL NOTE (RIBBED TANKS ONLY!):</b> The inlet and outlet Invert Level(IL) shown on this drawing is to internals of the shell unless otherwise stated. For Invert level to the outside of the shell ribs, see the conversion below: ø1.5m, 1.8m, 2.5m IL+50mm ('X') ø3.0m, 4.0m IL+75mm ('X')</td> </tr> <tr> <td>GRP FABRICATED</td> <td>LINEAR</td> <td>± 5mm</td> <td>ANGLE</td> <td>±0.5°</td> <td rowspan="3"> </td> </tr> <tr> <td>MACHINED</td> <td></td> <td>± 2mm</td> <td></td> <td>±0.2°</td> </tr> <tr> <td></td> <td></td> <td>± 0.5mm</td> <td></td> <td>±0.1°</td> </tr> </table>						GENERAL TOLERANCES (unless noted otherwise)		<b>IMPORTANT INVERT LEVEL NOTE (RIBBED TANKS ONLY!):</b> The inlet and outlet Invert Level(IL) shown on this drawing is to internals of the shell unless otherwise stated. For Invert level to the outside of the shell ribs, see the conversion below: ø1.5m, 1.8m, 2.5m IL+50mm ('X') ø3.0m, 4.0m IL+75mm ('X')				GRP FABRICATED	LINEAR	± 5mm	ANGLE	±0.5°		MACHINED		± 2mm		±0.2°			± 0.5mm		±0.1°
GENERAL TOLERANCES (unless noted otherwise)		<b>IMPORTANT INVERT LEVEL NOTE (RIBBED TANKS ONLY!):</b> The inlet and outlet Invert Level(IL) shown on this drawing is to internals of the shell unless otherwise stated. For Invert level to the outside of the shell ribs, see the conversion below: ø1.5m, 1.8m, 2.5m IL+50mm ('X') ø3.0m, 4.0m IL+75mm ('X')																									
GRP FABRICATED	LINEAR	± 5mm	ANGLE	±0.5°																							
MACHINED		± 2mm		±0.2°																							
		± 0.5mm		±0.1°																							
THIS DRAWING IS THE PROPERTY OF CONDER SOLUTIONS Ltd. AND IS NOT TO BE COPIED IN PART OR WHOLE WITHOUT WRITTEN PERMISSION			TANKS SUPPLIED WITH LOOSE SHAFTS DO NOT COME SUPPLIED WITH A FIXING KIT. THIS IS THE RESPONSIBILITY OF THE SITE CONTRACTOR.																								

A PREMIER TECH AND EPS JOINT COMPANY

TITLE

G.A. FOR 1.8dia STANDARD PUMP CHAMBER (SALES)

DRAWN BY LT	CHKD. -	APPD. -	SCALE NTS	DRAWING No. 1.8 Dia	PAGES 1
DATE 04.03.14	DATE -	DATE -			