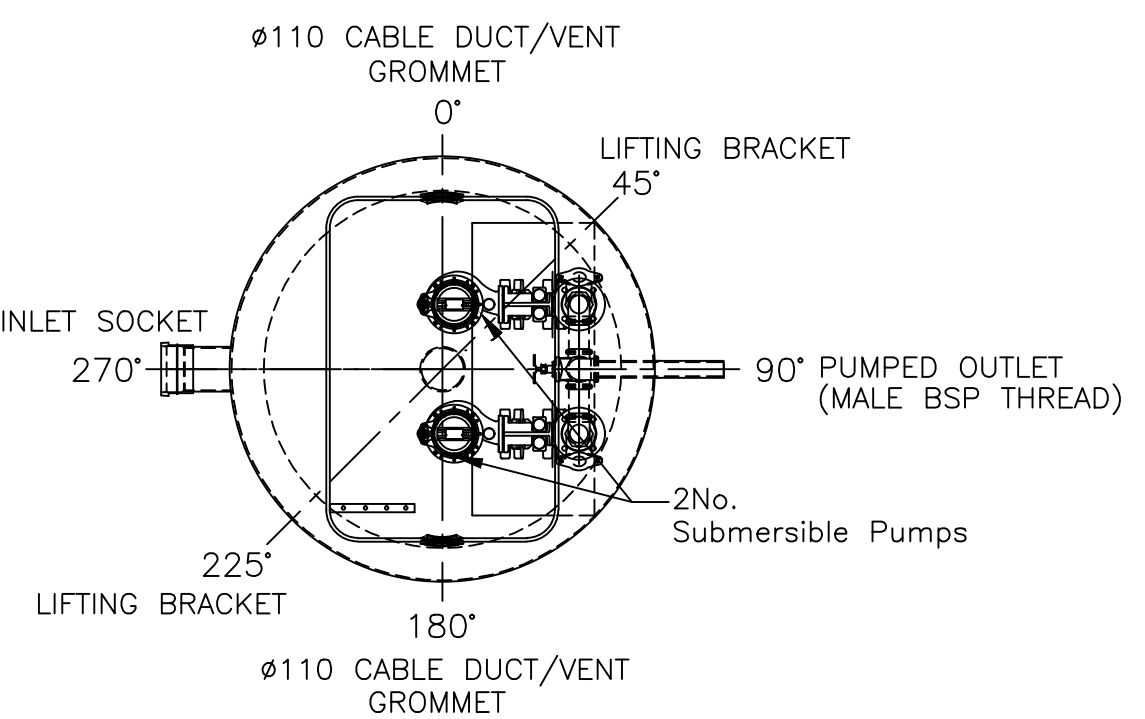


NOTES.

- ALL UNITS TO BE SURROUNDED IN CONCRETE (SEE GUIDE UTG 9502)
- 4 x FLOAT SWITCHES (TYPICAL SETTING SHOWN, TO BE SET DURING COMMISSIONING, SWITCHES TIED AT HIGH LEVEL FOR TRANSPORT)
- VARIABLE INLET (EXTERNAL PIPEWORK AND VENT COVER BY OTHERS)
- 2 x LIFTING CHAINS (HUNG FROM TOP GUIDE RAIL BRACKET)
- TERMINATING IN MALE THREADED OUTLET  
 $\phi$ 1.5 TANK (2", 2.5" OR 3" DEPENDING ON PUMP SELECTION)

STANDARD LOOSE ITEMS (SUPPLIED WITH TANK)  
 2 x SUBMERSIBLE PUMPS  
 1 x CONTROL PANEL  
 1 x PEDESTRIAN MANHOLE COVER AND FRAME (D400 OPTION AVAILABLE)

OTHER OPTIONAL ITEMS ARE AVAILABLE



PLAN VIEW SHOWING  
 TRUE PIPEWORK ORIENTATIONS  
 SITE SPECIFIC LAYOUTS/ORIENTATION  
 AVAILABLE AT AN ADDITIONAL COST

-	-	-	-	-	-
A	04.03.14	LT	-	-	ISSUED FOR INFORMATION
REV.	DATE	BY	CHKD.	APPD.	DESCRIPTION
S W E N				<b>GENERAL TOLERANCES (unless noted otherwise)</b> GRP FABRICATED: LINEAR $\pm$ 5mm, ANGLE $\pm$ 0.5° MACHINED: LINEAR $\pm$ 2mm, ANGLE $\pm$ 0.2° $\pm$ 0.5mm, $\pm$ 0.1°	
FOR INTERNAL USE ONLY		1ST ANGLE PROJECTION		<b>IMPORTANT INVERT LEVEL NOTE (RIBBED TANKS ONLY!):</b> The inlet and outlet Invert Level(IL) shown on this drawing is to internals of the shell unless otherwise stated. For Invert level to the outside of the shell ribs, see the conversion below: $\phi$ 1.5m, 1.8m, 2.5m IL+50mm ('X') $\phi$ 3.0m, 4.0m IL+75mm ('X')	
A3		DO NOT SCALE IF IN DOUBT ASK ALL DIMENSIONS IN MM		THIS DRAWING IS THE PROPERTY OF CONDER SOLUTIONS Ltd. AND IS NOT TO BE COPIED IN PART OR WHOLE WITHOUT WRITTEN PERMISSION	
				TANKS SUPPLIED WITH LOOSE SHAFTS DO NOT COME SUPPLIED WITH A FIXING KIT. THIS IS THE RESPONSIBILITY OF THE SITE CONTRACTOR.	

<b>TITLE</b> G.A. FOR 1.5dia STANDARD PUMP CHAMBER (SALES)					
DRAWN BY LT	CHKD. -	APPD. -	SCALE NTS	DRAWING No. 1.5 Dia	PAGES 1
DATE 04.03.14	DATE -	DATE -			